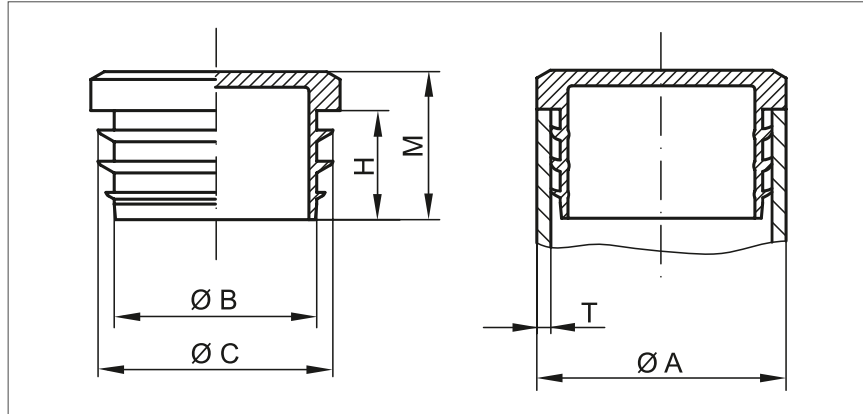


# Finned Plugs

## GPN 320



Suitable for pipe dimensions		Dimensions				Order no.
External A	Wall thickness T	B	C	H	M	
10.0	1-2	5.0	8.5	11.0	15.0	320 GL 10 1-2
12.0	1-2	7.0	10.5	11.0	15.0	320 GL 12 1-2
13.0	1-2	8.0	11.5	11.0	15.0	320 GL 13 1-2
14.0	1-2	9.0	12.5	11.0	15.0	320 GL 14 1-2
15.0	1-2	10.0	13.5	11.0	15.0	320 GL 15 1-2
16.0	1-2	11.0	14.5	11.0	15.0	320 GL 16 1-2
18.0	1-2	13.0	16.5	11.0	15.0	320 GL 18 1-2
20.0	1-2	15.0	18.5	11.0	15.0	320 GL 20 1-2
22.0	1-2	16.0	20.5	14.0	19.0	320 GL 22 1-2
25.0	1-2	19.0	23.5	14.0	19.0	320 GL 25 1-2
27.0	1-2	21.0	25.5	14.0	19.0	320 GL 27 1-2
28.0	1-2	22.0	26.5	14.0	19.0	320 GL 28 1-2
30.0	1-2	24.0	28.5	14.0	19.0	320 GL 30 1-2
32.0	1-2	26.0	30.5	14.0	19.0	320 GL 32 1-2
34.0	1-2	28.0	32.5	14.0	19.0	320 GL 34 1-2
35.0	1-2	29.0	33.5	14.0	19.0	320 GL 35 1-2
36.0	1-2	30.0	34.5	14.0	19.0	320 GL 36 1-2
38.0	1-2	32.0	36.5	14.0	19.0	320 GL 38 1-2
40.0	1-2	34.0	38.5	14.0	19.0	320 GL 40 1-2
42.0	1-2	36.0	40.5	14.0	19.0	320 GL 42 1-2
45.0	1-2	39.0	43.5	14.0	19.0	320 GL 45 1-2
48.0	1-2	42.0	46.5	14.0	19.0	320 GL 48 1-2
50.0	1-2	43.0	48.5	17.0	22.0	320 GL 50 1-2
55.0	1-2	48.0	53.5	17.0	22.0	320 GL 55 1-2
60.0	1-2	53.0	58.5	17.0	22.0	320 GL 60 1-2
60.0	2-3	51.0	56.5	17.0	22.0	320 GL 60 2-3
70.0	2-3	61.0	66.5	17.0	22.0	320 GL 70 2-3
70.0	3-4	59.0	64.5	17.0	22.0	320 GL 70 3-4
76.0	2-3	67.0	72.5	17.0	22.0	320 GL 76 2-3
76.0	3-4	65.0	70.5	17.0	22.0	320 GL 76 3-4
90.0	2-3	81.0	86.5	17.0	22.0	320 GL 90 2-3
90.0	3-4	79.0	84.5	17.0	22.0	320 GL 90 3-4
102.0	2-3	93.0	98.5	17.0	22.0	320 GL 102 2-3
102.0	3-4	91.0	96.5	17.0	22.0	320 GL 102 3-4

Size in mm.



**Standard protection:** To close off round pipes in accordance with DIN EN 10220, DIN EN 10255 and DIN EN ISO 1127.



**Robust:** Solid design for increased demands.



**Multi Functional:** Ribs on the shank provide a secure fit even with varying tube tolerances.



**Additional information:** High visual appeal due to grained top surface finish and chamfered edges.

**Material:**  
Polyethylene (PE-LLD)  
**Colour:**  
Black